

10 gpm max
37.9 L/min



Features and Benefits

- Compact size, easily transported
- Top-ported filter provides easy element service
- D10 Auto-Reset Indicator indicates when filter elements require a change
- Hoses and connection tubes included (10' total length)
- Drip pan catches oil before it falls to the ground
- Off-line stationary system available – see Kidney Loop System

Description

The Schroeder Mobile Filter System - Basic Cart is a compact, self-contained, “light-duty” filtration system equipped with high efficiency, high capacity elements capable of removing particulate contamination and/or water quickly, conveniently and economically. It is perfect for cleaning up existing systems as well as for prefiltering new fluids, since new fluids often have contamination levels significantly higher than that recommended for most hydraulic systems.

The filtration system’s compact, lightweight design with replaceable element cartridge and reusable bowl, minimizing landfill waste. Element service is easily accomplished through the top-ported filter housings. The MFD-BC includes a drip pan to help catch any oil before it falls to the ground. The dual filter assembly allows for water and particulate removal or staged, particulate contamination removal.

Applications

- Supplementing continuous filtration by system filters
- Cleaning up a hydraulic system following component replacement
- Filtering new fluid before it is put into service
- Transferring fluid from storage tanks and drums to system reservoirs

Specifications

Flow Rating:	10 gpm (37.9 L/min) max
Viscosity Range:	46 - 1,000 SUS (6 - 216 cSt)
Hose Pressure Rating:	30 psig (2.0 bar) @ 150°F (65.6°C) Full vacuum @ 150°F (65.6°C)
Fluid Temperature:	25°F to 150°F (-4°C to 65°C)
Bypass Valve Setting:	Cracking: 25 psi (1.7 bar)
Material:	Element Case: Aluminum
Seal Material:	Buna N
Compatibility:	All petroleum based hydraulic fluid. Contact factory for use with other fluids.
Motor:	115 VAC Single phase 1 hp
Weight:	102 lbs. (46.3 kg)

For replacement element part numbers, please see "Appendix Section - Replacement Elements" of this catalog.

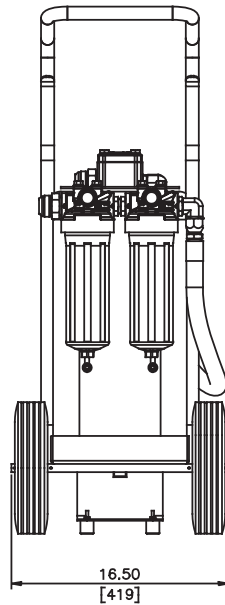
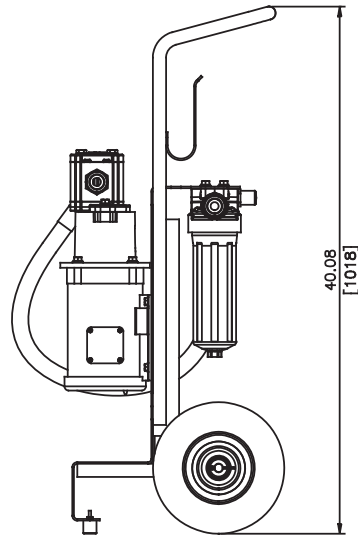
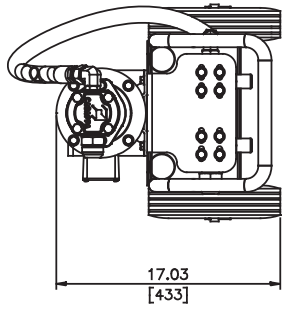
Mobile Filter System - Basic Cart

MFDBC

TCM
TCM-FC
HY-TRAX®
RBSA
TIM
TSU
TMU
FCU 1000 Series
TPM
TMS
TWS-C/D
SMU
CTU
EPK

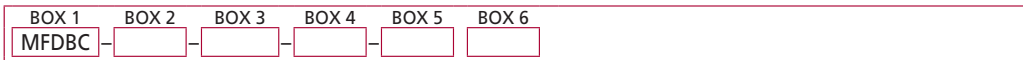
Trouble Check Plus
HMG2500
HMG4000
ET-100-6
HTB
HFS-BC
HFS
MFDBC

MFS, MFD
MFD-MV
MFS-HV
AMS, AMD
FS
AMFS
KLS, KLD
AKS, AKD
LSN, LSA, LSW
X Series
KLC
MTS
OLF-P
NxTM
IXU
Triton-A
Triton-E
SVD01
SVD
OXS
Appendix

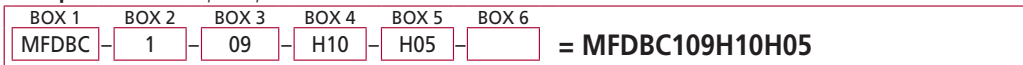


Metric dimensions in ().

How to Build a Valid Model Number for Schroeder MFDBC:



Example: NOTE: One option per box



BOX 1	BOX 2	BOX 3	BOX 4
Model	No. of Elements	Element Length	Element Media First Filter
MFDBC	1	09	H03 = 3 µm Excellement® Z-Media® (synthetic) H05 = 5 µm Excellement® Z-Media® (synthetic) H10 = 10 µm Excellement® Z-Media® (synthetic) H25 = 25 µm Excellement® Z-Media® (synthetic) GW = Water Removal

BOX 5
Element Media Second Filter
H03 = 3 µm Excellement® Z-Media® (synthetic) H05 = 5 µm Excellement® Z-Media® (synthetic) H10 = 10 µm Excellement® Z-Media® (synthetic) H25 = 25 µm Excellement® Z-Media® (synthetic) GW = Water Removal

BOX 6
Voltage
Omit = 115 V / 60 Hz A = 220 V / 60 Hz B = 220 V / 50 Hz

Model Number Selection

NOTES:

Box 6. If 220V, 50 Hz option selected, flow rating is reduced to ~8-gpm and will have plug cutoff.